

CAPACITIVE LEVEL MEASURING SYSTEMS

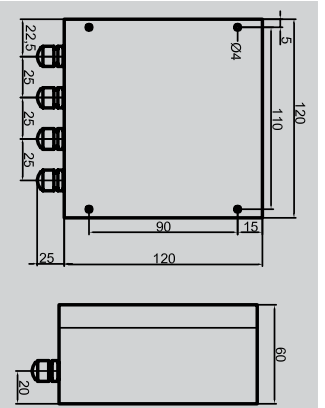
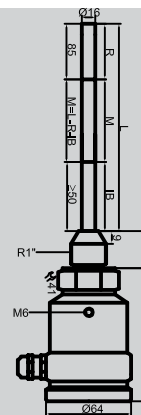


- With analogue output

Housing	Ø 16 mm	Ø 16 mm/1"	Evaluation unit
Technical data			
Active zone [mm]	Measuring range begins from 85, related to the probe tip	Measuring range begins from 85, related to the probe tip	
Analogue probe	KFS-1-"L"- "M"-Y75	KFS-1-"L"- "M"-VA-1"	
With connection head	-	yes	
Analogue evaluation unit for "M" = 200 mm			KFA-1-200-IL4-KL-Y70
Analogue evaluation unit for "M" = 500 mm			KFA-1-500-IL4-KL-Y70
Analogue evaluation unit for "M" = 1000 mm			KFA-1-1000-IL4-KL-Y70
Analogue evaluation unit for "M" = 2000 mm			KFA-1-2000-IL4-KL-Y70
Operating voltage (U _B)		-	18...36 V DC
Analogue output	-	-	4...20 mA
Power consumption (output no-load)	-	-	typ. 3.5 W
Permitted ambient temperature	-	-25...+100°C	-25...+55°C
Permitted ambient temperature (for active zone)	-70...+250°C	-25...+150°C	-
LED-Display	-	-	yes
Protective circuit	-	-	yes
Degree of protection IEC 529 (probe/housing)	IP 67	IP 67	IP 54
(screwing* cable connection)	-	P 54	-
Connection	2 m coax-cable with SMB-connectors	SMB-sockets within the connection head	Screwing clamp terminals and SMB sockets
Housing material	-	VA No. 1.4571	ABS
Active zone	GFK	GFK	-
Pressure	-	25 bar	-




Dimensions

*The degree of protection may be increased by means of special measures at mounting (e. g. injection of silicone mixture)

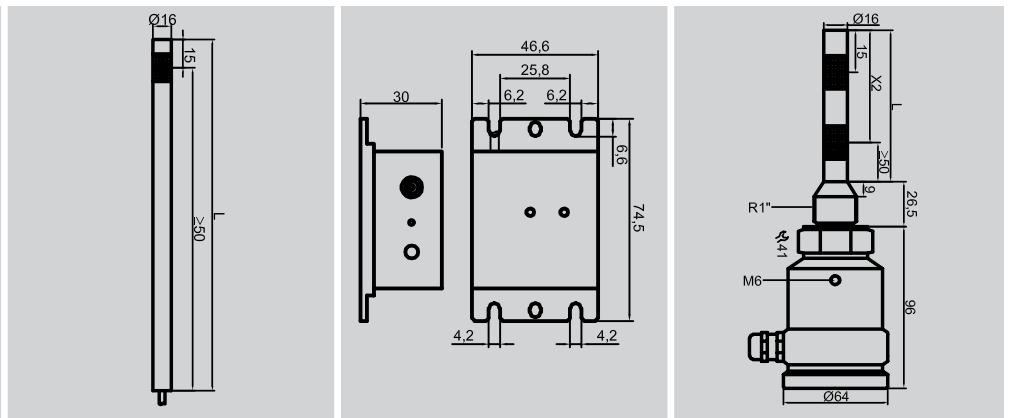


Connection diagram see page 7

- With limit value switching point(s)

Housing	Ø 16 mm	Evaluation unit	Compact filling level probe
CE			
Technical data			
Active Zone [mm]	10...25, related to probe tip	-	10...25, related to the probe tip + 1 x type specific X2
Probe	KFS-5-1-"L"-15-Y55		
Evaluation unit NPN antivalent		KFA-5-1-N-A-Y50	
Evaluation unit PNP antivalent		KFA-5-1-P-A-Y50	
Compact filling level probe NPN NO			KFX-5-2-"L"-15/X2-N-S-VA-1"
Compact filling level probe NPN NC			KFX-5-2-"L"-15/X2-N-Ö-VA-1"
Compact filling level probe PNP NO			KFX-5-2-"L"-15/X2-P-S-VA-1"
Compact filling level probe PNP NC			KFX-5-2-"L"-15/X2-P-Ö-VA-1"
Operating voltage (U _B)		18...36 V DC	18...36 V DC
Output current max. (I _B)	-	2 x 250 mA	2 x 250 mA
No-load current (I ₀)	-	typ. 50 mA	typ. 50 mA
Frequency of operating cycles max.	-	4 Hz	4 Hz
Permitted ambient temperature	-	-25...+55°C	-25...+55°C
Permitted ambient temperature (for active zone)	-70...+250°C	-	-25...+100°C
LED-Display	-	yes	yes
Protective circuit	-	yes	yes
Degree of protection IEC 529	IP 67	IP 65	IP 67
Connection	2 m coax-cable with coax-connector	2 m cable	Clamp terminal within the connection head
Housing material	-	PA/PPO	VA No. 1.4571
Active zone	GFK	-	GFK
Pressure	-	-	25 bar

Dimension



Connection diagram see page 7